

Peregrine 486



The Peregrine™ 486 is a high-performance imaging camera for use in applications that demand extreme sensitivity under low light conditions. The camera is based upon the CCD 486, a scientific grade 4k x 4k sensor, available in either front- or back-illuminated versions. The camera boasts a low-noise, dual-speed, four-port readout architecture for superior speed and sensitivity. Dark current is virtually eliminated with deep thermoelectric cooling to $-50\text{ }^{\circ}\text{C}$. Hard metal seals assure a reliable vacuum and continuous maintenance-free operation. Linear, 16-bit dynamic range and sophisticated features such as software-controlled windowing and binning make the Peregrine™ the ultimate instrument in scientific optical imaging. The

camera is packaged in a compact and rugged housing and is readily adapted to your optical interface.

Features

Benefits

4k x 4k sensor	High resolution (16 Megapixel)
60 mm x 60 mm CCD image area	Large CCD allows small taper ratio
Back-illuminated CCD	Highest quantum efficiency
Four-port readout	Optimal design for speed and sensitivity
Deep thermoelectric cooling	Minimize dark noise
High-performance low-noise electronics	Minimize readout noise
Linear 16-bit dynamic range	Scientific precision and accuracy
Software-controlled binning & windowing	Optimize speed versus resolution
Plug-in for ImagePro Plus software	Data acquisition and analysis



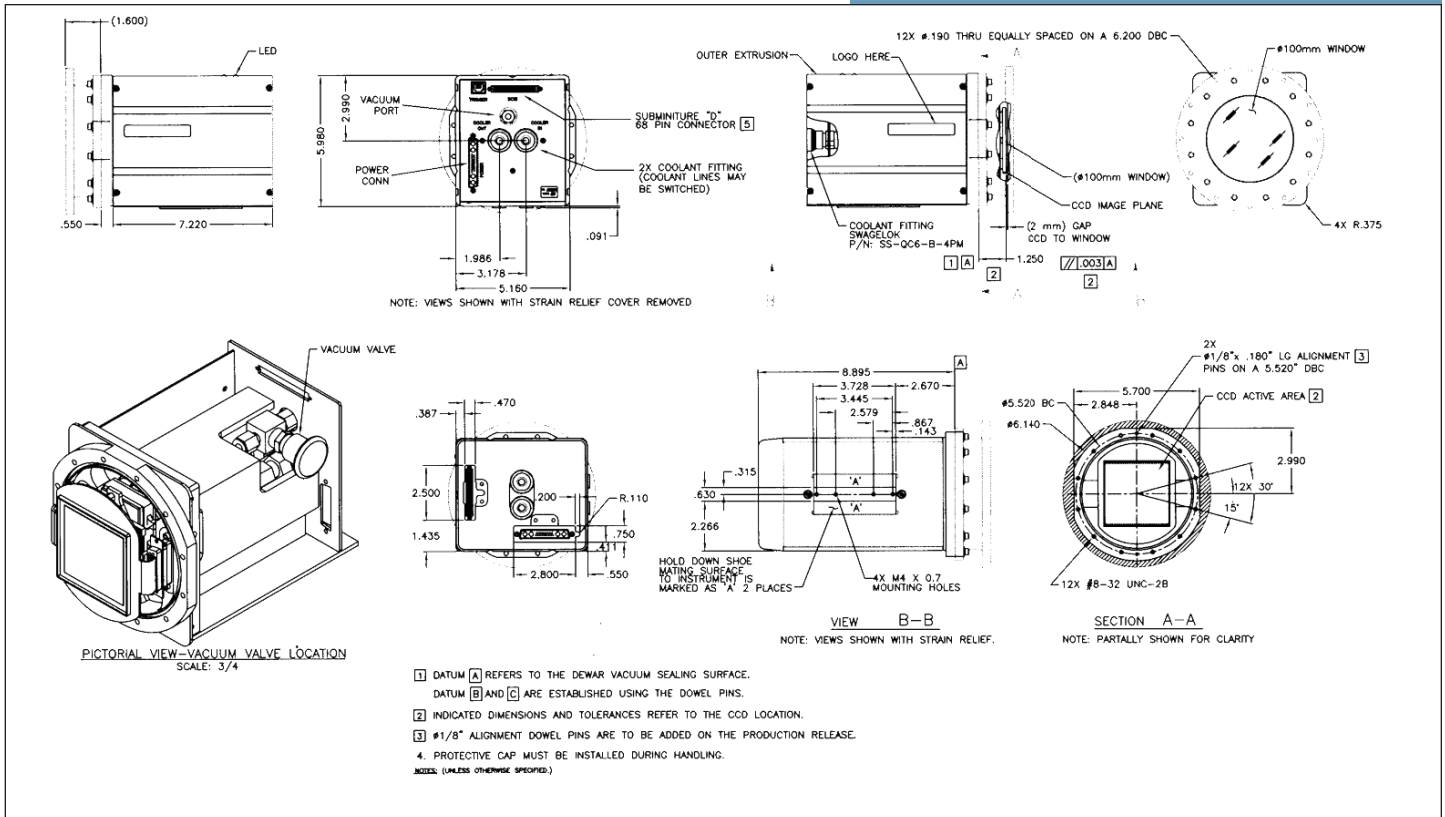
Peregrine 486

Specifications

Sensor	CCD 486, scientific grade 1, front-illuminated or back-illuminated		
Type	4096 x 4096 pixels		
Resolution	15 μm x 15 μm		
Pixel Size	61.4 mm x 61.4 mm		
Image Area			
	Minimum	Typical	Maximum
Read Noise			
1 MHz		10 e ⁻	12 e ⁻
250 kHz		5 e ⁻	7 e ⁻
Full Well Capacity			
Single Pixel	80 ke ⁻	100 ke ⁻	
Output Register	700 ke ⁻	800 ke ⁻	
Gain		1.5 e ⁻ /ADU (nominal)	
Linearity		< 1%	
Dark Current (-60°C)		0.01 e ⁻ /pix/sec (F/I) 0.02 e ⁻ /pix/sec (B/I)	0.02 e ⁻ /pix/sec (F/I) 0.08 e ⁻ /pix/sec (B/I)
Cooling	-60°C, Thermoelectric w/chilled water		
Output Ports	4 low noise amplifiers		
Readout Rate			
4 MHz	4 ports x 1 MHz		
1 MHz	4 ports x 250 kHz		
Binning and Windowing	1x1, 2x2, 4x4 and 8x8; Arbitrary sized centered window		
ADC Dynamic Range	16-bit		
Vertical Shift Speed	200 μsec		
Operating Range	15°C to 30°C; 40% to 75% relative humidity (non-condensing)		
Interface	USB 2.0		
I/O Triggers	External In, Expose Out, Shutter Out		
Dimensions (H x W x L)	6.0 in. x 5.2 in. x 9.4 in. (152 mm x 131 mm x 239 mm)		
Camera Weight	20.5 pounds (9.3 kg)		

*Note: All Specifications measured in 1x1 (full image) mode unless stated otherwise. Subject to change without notice.

Mechanical Drawing



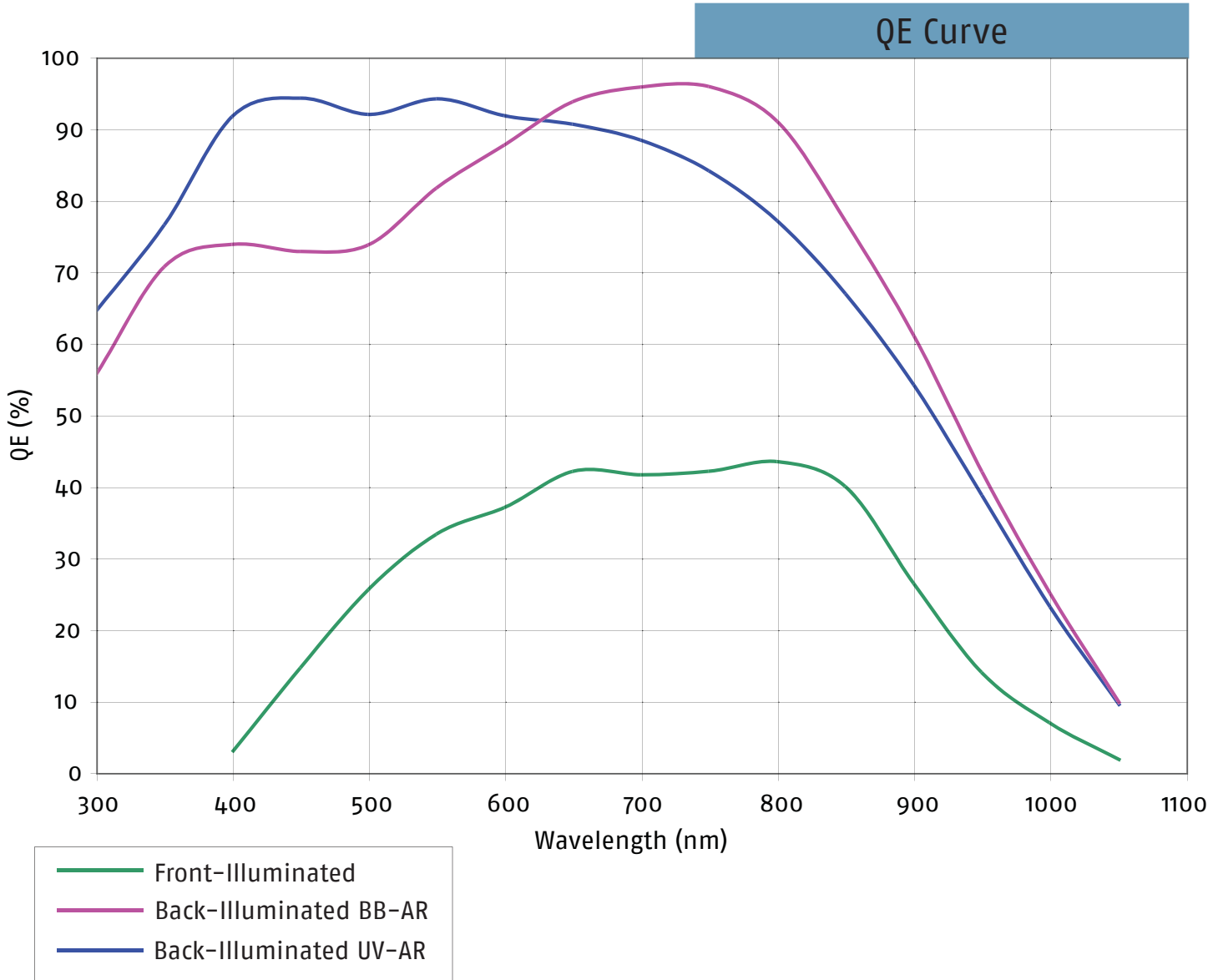
Readout Rates

	1 x 1 - 4MHz	2 x 2 - 2.5 MHz	4 x 4 - 2.1 MHz	8 x 8 - 1.6 MHz
Readout Time	6.5 sec	1.90 sec	1.18 sec	0.55 sec
Frame Rate	0.15 fps	0.52 fps	0.85 fps	1.8 fps

Note: Measured with 0 sec exposure. Actual results may vary depending upon your experimental conditions.



Peregrine 486



Fairchild Imaging certifies that its products are fully inspected and tested at the factory prior to shipment, and that they conform to the stated specifications.

This product is designed, manufactured, and distributed utilizing the ISO 9001:2000 Business Management System.